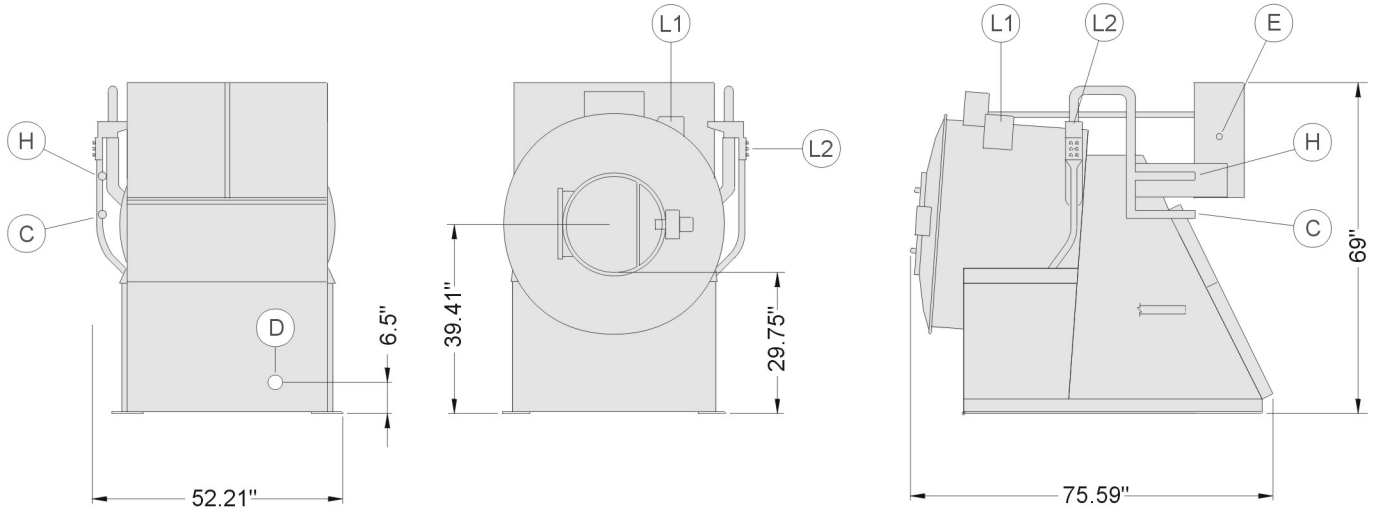


135-140 lb. Rigid Mount Washer-Extractor 42026V6J

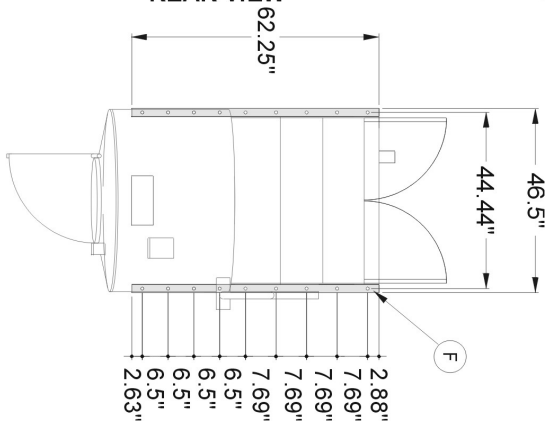


REAR VIEW

FRONT VIEW

RIGHT SIDE VIEW

FOUNDATION PLAN



See dimensional drawing for fastening details. Consult Factory for foundation requirements

Legend:

- C Electric cold water inlet, 1-1/4" NPT
- D Drain to rear, 3" pipe socket joint
- E Main electrical connection
- F Anchor bolt holes, .875" diameter
- H Electric hot water inlet, 1-1/4" NPT
- L1 Standard soap chute
- L2 Liquid supply inlets

Specifications:

Maximum Capacity lbs (kg)	135 – 140 (61 – 63)
Wash Speed RPM	33 - 40
Distribution Speed RPM	60
High Speed Extract RPM	600
Final Extract G Forces	215
Approx. net weight lbs (kg)	2476 (1124)

Features at a Glance:

- Single motor inverter drive
- Electrically-operated valves
- Auto tension V-belt drive
- E-P Plus microprocessors (30 programmable formulas)
- Cylinder side sheets have large perforations
- High, perforated ribs within cylinder
- Liquid soap connectors standard
- Triple water seals protect bearings
- Standard models fit through standard doorways
- 5 year limited warranty on frame, cylinder, and shell

ELECTRICAL SPECIFICATIONS					
Voltage	Running Amps	Phase	Frequency	Fuse (Amps)	Circuit Breaker (Amps)
208	11	3	60	FRN30	30
380	7	3	50	FRS15	15
380	7	3	60	FRS15	15
480	5.5	3	60	FRS15	15

See Fuse and Wire Size manual MAEFUSE1AE for safety information.

Pellerin Milnor Corporation, P.O. Box 400, Kenner, LA 70062 ph: 504-467-9591, fx: 504 468-3094
<http://www.milnor.com> e-mail: mktg@milnor.com