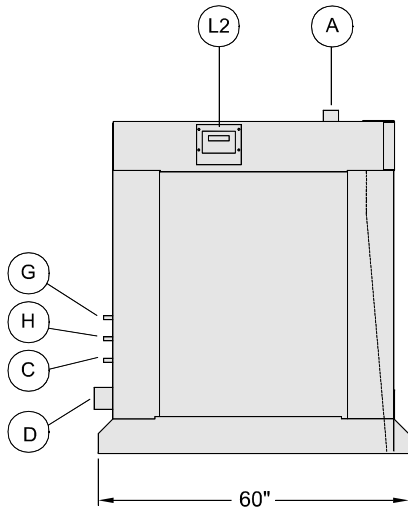
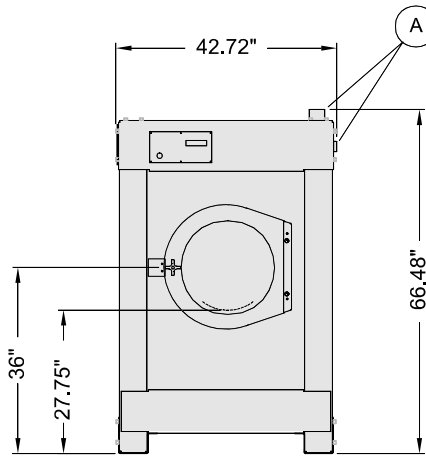


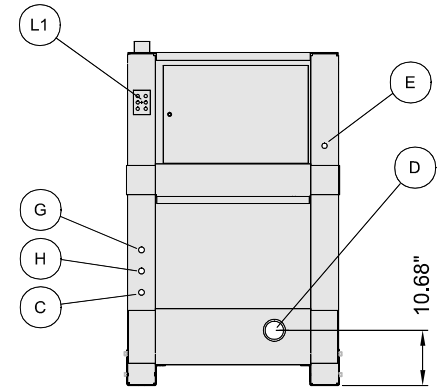
55 - 60 lb. Suspended Washer-Extractor 30022 X8J, X8W



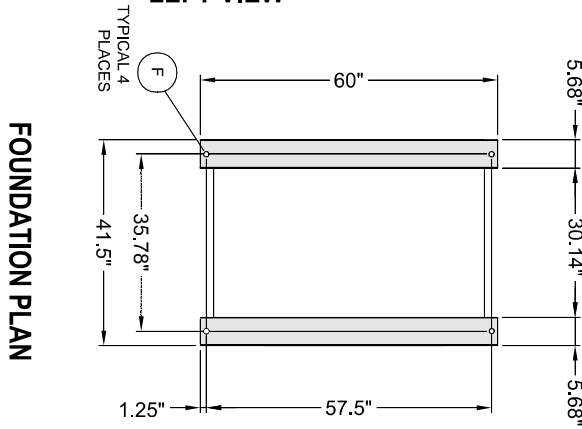
LEFT VIEW



FRONT VIEW



REAR VIEW



FOUNDATION PLAN

See dimensional drawing for fastening details.
Consult Factory for foundation requirements

Legend:

- A Vent, 3"
- C Cold water inlet, 3/4"
- D Drain to sewer, 3"
- E Electrical connection
- F Anchor bolt holes, 1.0625" diameter
- G Chemical flush, 3/4"
- H Hot water inlet, 3/4"
- L1 Liquid supply inlets
- L2 Soap chute

Specifications:

Maximum Capacity lbs (kg)	55 – 60 (25 – 27)
Wash Speed RPM	38 – 43
Distribution Speed RPM	60
High Speed Extract RPM	840
Final Extract G Forces	300
Approx. net weight lbs (kg)	1,877 (851)

Features at a Glance:

- Single motor inverter drive
- Electrically-operated valves
- 5HP inverter
- Choice of E-P Plus microprocessors (J controller - 30 programmable formulas) or MARK V microprocessor (W controller – 100 formulas, 98 programmable)
- Suspension system
- Liquid soap connectors standard (six on X8J, twelve on X8W)
- Triple water seals protect bearings
- Ideal for laundering delicates
- 5 year limited warranty on frame, cylinder, and shell
- 3-year limited warranty on non-wearable parts

ELECTRICAL SPECIFICATIONS

Voltage	Running Amps	Phase	Frequency	Fuse (Amps)	Circuit Breaker (Amps)
208/240	7	1 or 3	60	FRN20	20
380	4.5	3	50	FRS15	15
380	4.5	3	60	FRS15	15
480	3.5	3	60	FRS15	15

See Fuse and Wire Size manual MAEFUSE1AE for safety information.

Pellerin Milnor Corporation, P.O. Box 400, Kenner, LA 70063 ph: 504-467-9591, fx: 504-468-3094

<http://www.milnor.com> e-mail: mktg@milnor.com