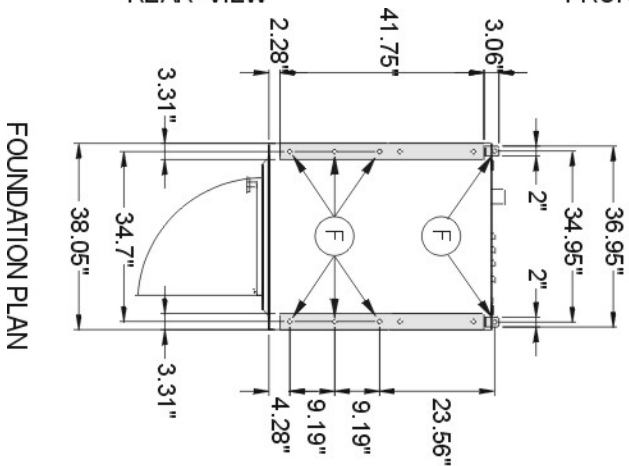
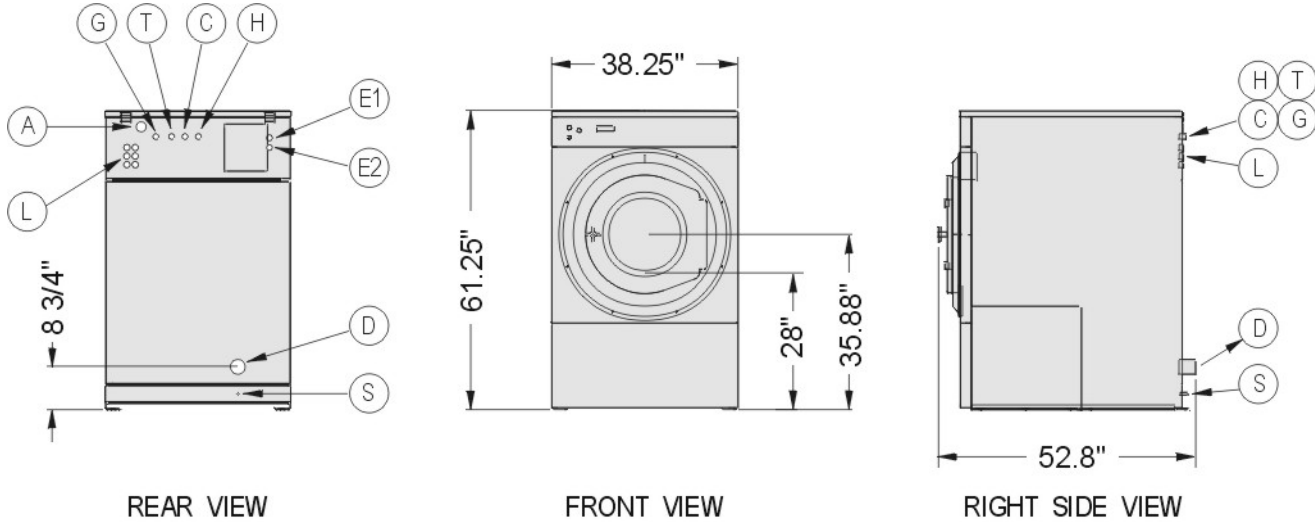


55 - 60 lb. Rigid Mount Washer-Extractor 30022H8J



Legend:

- A Vent to atmosphere
- C Cold water inlet, 3/4"
- D Drain to sewer, 3"
- E1 Electrical connection
- E2 Peristaltic pump electrical interface
- F Anchor bolt holes, .875" diameter
- G Chemical flush, water inlet, 3/4"
- H Hot water inlet, 3/4"
- L Liquid supply inlets
- S Steam inlet, 1/2"
- T Third water inlet connection, 3/4"

See dimensional drawing for fastening details.
Consult Factory for foundation requirements

Specifications:

Maximum Capacity lbs (kg)	55 – 60 (25 – 27)
Wash Speed RPM	35 - 45
Distribution Speed RPM	65
High Speed Extract RPM	766
Final Extract G Forces	250
Approx. net weight lbs (kg)	1350 (612)

Features at a Glance:

- Single motor inverter drive
- Electrically-operated valves
- Programmable overnight bath soak
- E-P Plus microprocessors (30 programmable formulas)
- Cylinder side sheets have large perforations
- High, perforated ribs within cylinder
- Liquid soap connectors standard
- Triple water seals protect bearings
- Programmable water temperature for each bath
- 5 year limited warranty on frame, cylinder, and shell

ELECTRICAL SPECIFICATIONS					
Voltage	Running Amps	Phase	Frequency	Fuse (Amps)	Circuit Breaker (Amps)
208/240	7	1 or 3	60	FRN20	20
380	4.5	3	50	FRS15	15
380	4.5	3	60	FRS15	15
480	3.5	3	60	FRS15	15

See Fuse and Wire Size manual MAEFUSE1AE for safety information.