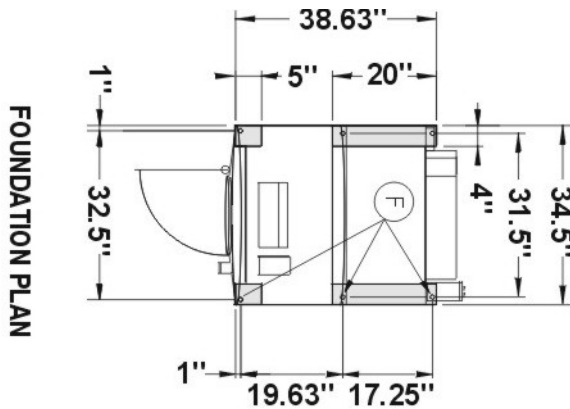
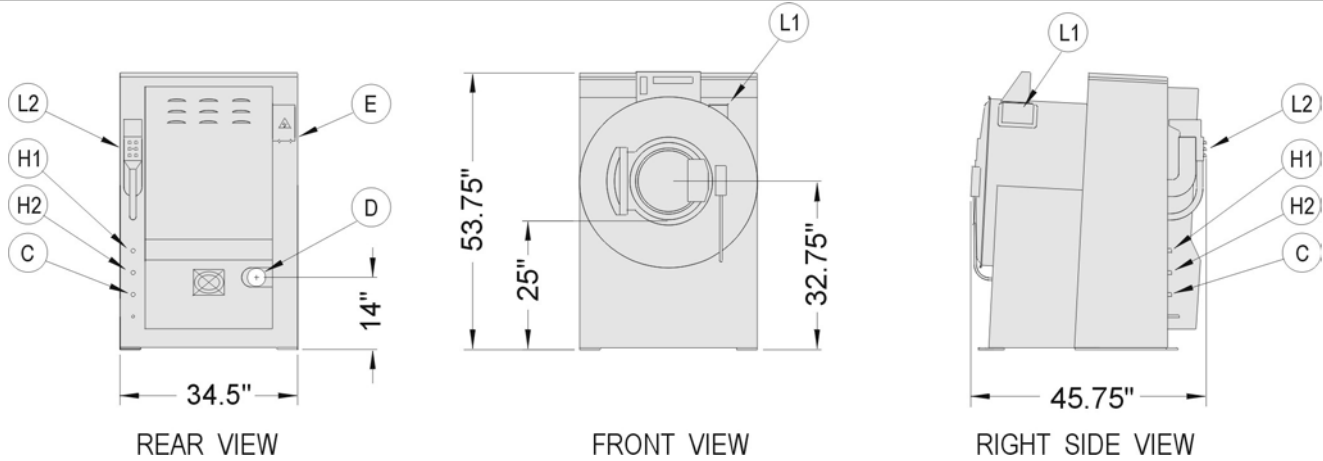


35 - 40 lb. Rigid Mount Washer-Extractor 30015 T5E, 30015 T5X



See dimensional drawing for fastening details.
Consult Factory for foundation requirements

Specifications:

Maximum Capacity lbs (kg)	35 – 40 (16 – 18)
Wash Speed RPM	38
Distribution Speed RPM	64
High Speed Extract RPM	509
Final Extract G Forces	110
Approx. net weight lbs (kg)	761 (345)

Legend:

- C Cold water inlet, 3/4" garden hose, male
- D Drain to sewer, 3" pipe socket joint
- E Electrical connection
- F Anchor bolt holes, .81" diameter
- H1 Hot water for flushing, 3/4" garden hose, male
- H2 Hot water inlet, 3/4" garden hose, male
- L1 Soap chute
- L2 Liquid supply inlets

Features at a Glance:

- Single motor inverter drive
- Electrically-operated valves
- Auto tension V-belt drive
- Choice of E-P Express (X controller – 30 programmable formulas) or E-P OneTouch (E controller – 4 formulas) microprocessors.
- Cylinder side sheets have large perforations
- High, perforated ribs within cylinder
- Liquid soap connectors standard
- Triple water seals protect bearings
- Standard models fit through 36" door
- 5 year limited warranty on frame, cylinder, and shell

ELECTRICAL SPECIFICATIONS					
Voltage	Running Amps	Phase	Frequency	Fuse (Amps)	Circuit Breaker (Amps)
208/240	7	1 or 3	60	FRN15	15
380	4.5	3	50	FRS15	15
380	4.5	3	60	FRS15	15
480	3.5	3	60	FRS15	15

See Fuse and Wire Size manual MAEFUSE1AE for safety information.