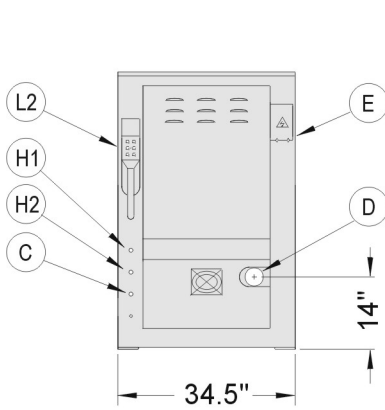
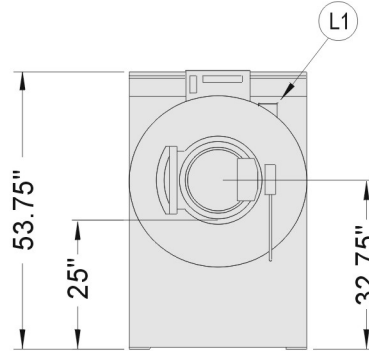


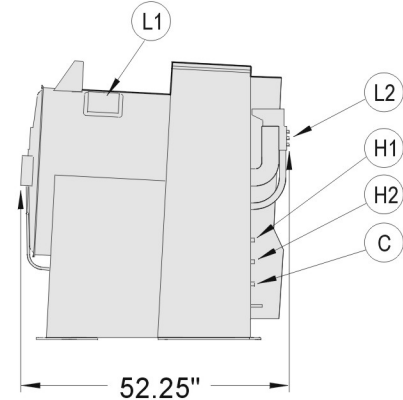
55-60 lb. Rigid Mount Washer-Extractor 30022V6J



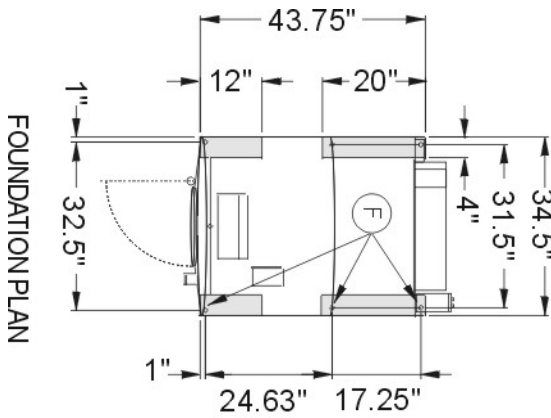
REAR VIEW



FRONT VIEW



RIGHT SIDE VIEW



FOUNDATION PLAN

See dimensional drawing for fastening details.
Consult Factory for foundation requirements.

Legend:

- C Cold water inlet, 3/4" garden hose, male
- D Drain to sewer, 3" pipe socket joint
- E Electrical connection
- F Anchor bolt holes, .81" diameter
- H1 Hot water for flushing, 3/4" garden hose, male
- H2 Hot water inlet, 3/4" garden hose, male
- L1 Soap chute
- L2 Liquid supply inlets

Specifications:

Maximum Capacity lbs (kg)	55 – 60 (25 – 27)
Wash Speed RPM	38
Distribution Speed RPM	65
High Speed Extract RPM	593
Final Extract G Forces	150
Approx. net weight lbs (kg)	970 (440)

Features at a Glance:

- Single motor inverter drive
- Electrically-operated valves
- Auto tension V-belt drive
- E-P Plus microprocessors (30 programmable formulas)
- Cylinder side sheets have large perforations
- High, perforated ribs within cylinder
- Liquid soap connectors standard
- Triple water seals protect bearings
- Standard models fit through 36" door
- 5 year limited warranty on frame, cylinder, and shell

ELECTRICAL SPECIFICATIONS					
Voltage	Running Amps	Phase	Frequency	Fuse (Amps)	Circuit Breaker (Amps)
208/240	7	1 or 3	60	FRN20	20
380	4.5	3	50	FRS15	15
380	4.5	3	60	FRS15	15
480	3.5	3	60	FRS15	15

See Fuse and Wire Size manual MAEFUSE1AE for safety information.

Pellerin Milnor Corporation, P.O. Box 400, Kenner, LA 70062 ph: 504-712-7656, fx: 504 468-3094
<http://www.milnor.com> e-mail: mktg@milnor.com